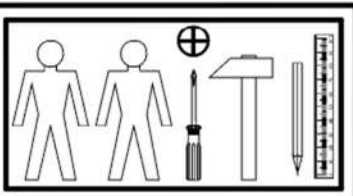
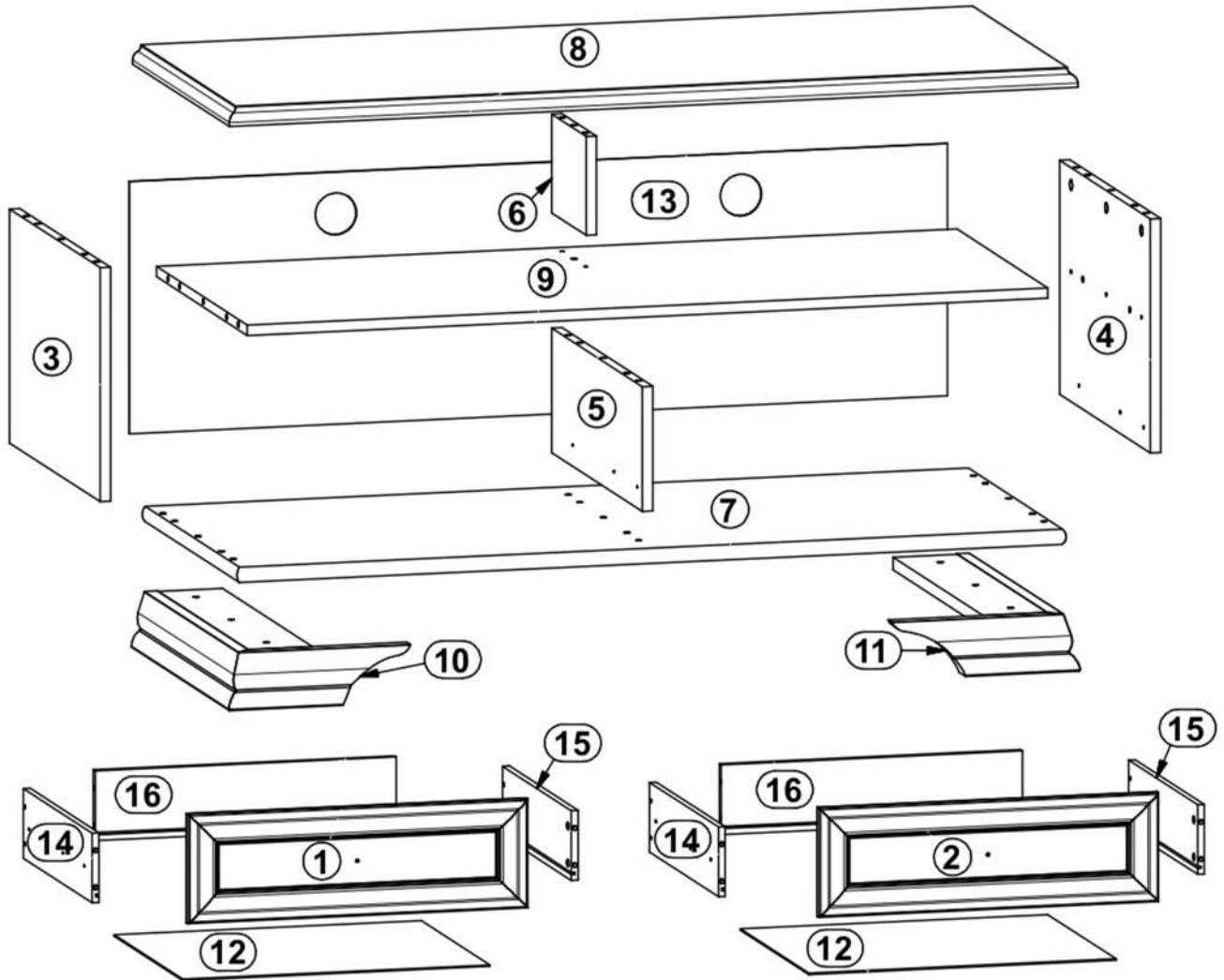
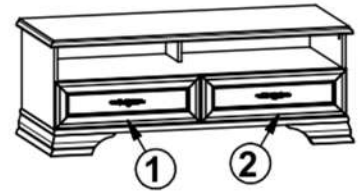
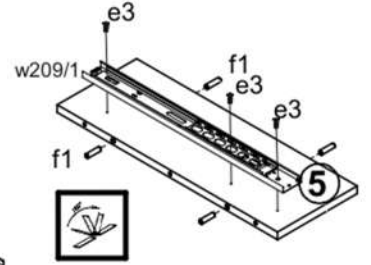
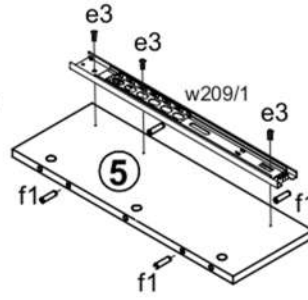
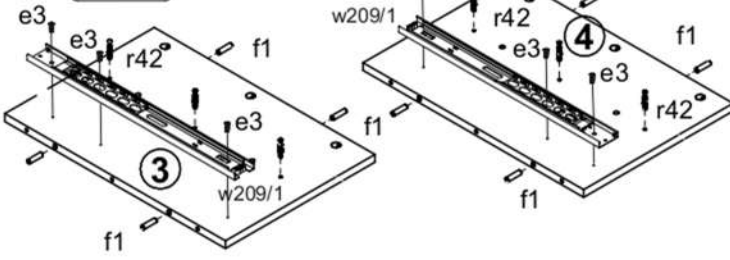


A	B	C	D	A	B	C	D		
1	S320-0013N	596	188	4/4	9	S320-312	1168	495	2/4
2	S320-0014N	596	188	4/4	10	S320-519	533	270	3/4
3	S320-117N	336	495	1/4	11	S320-520	533	270	3/4
4	S320-118N	336	495	1/4	12	S320-912N	533	448	1/4
5	S320-119N	178,5	495	1/4	13	S320-913	1194	380	2/4
6	S320-120	141,5	188	1/4	14	S320-573N	450	120	1/4
7	S320-214-01	1212	517	2/4	15	S320-574N	450	120	1/4
8	S320-2215N	1240	528	2/4	16	S320-5549N	518	120	1/4

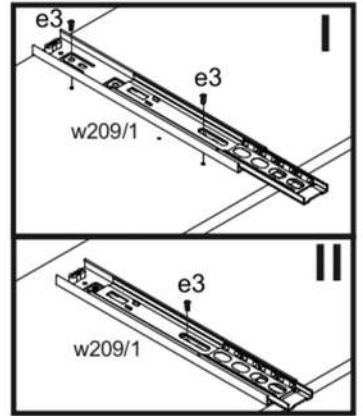
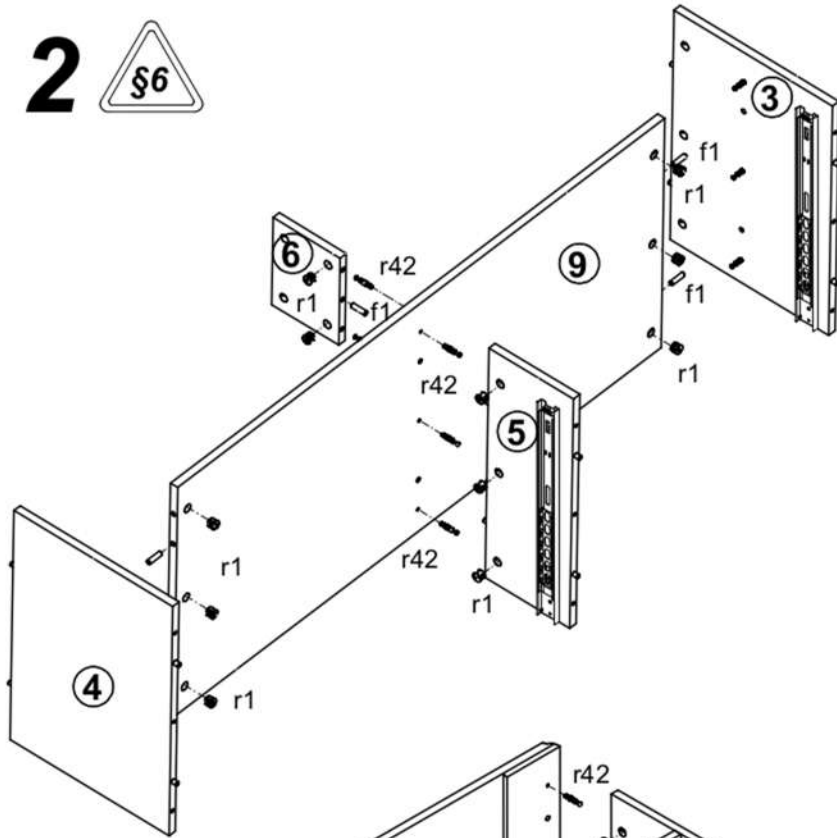


9x φ7x90 mm e8	6x φ7x35 mm e26	12x φ6x15 mm e3	22x φ8x30 mm f1	45x l1	12x φ3,5x12 mm p140	27x φ1,5x12mm ±16 r1	27x r42	8x φ6,5x40 mm f25
2x w209/1	2x w209/2	2x c35/1	2x c35/2	2x M4x 18 mm j59	2x 433 mm t37	4x φ3,5x16 mm p25	1шт. φ5x60 mm p17	1шт. φ10x50 mm f35
1x n26	1x φ3,5x16 mm p38	18x ø16 s2	1x z1					

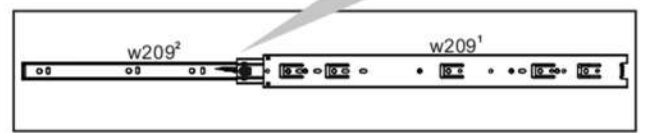
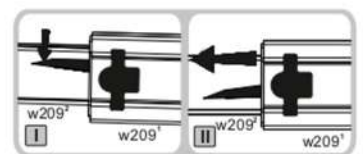
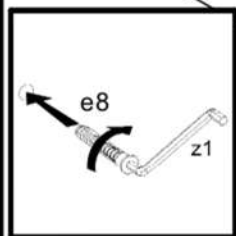
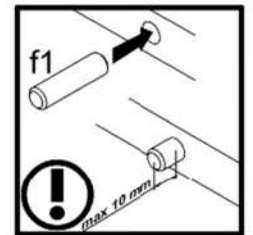
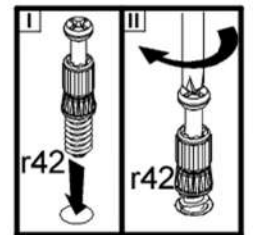
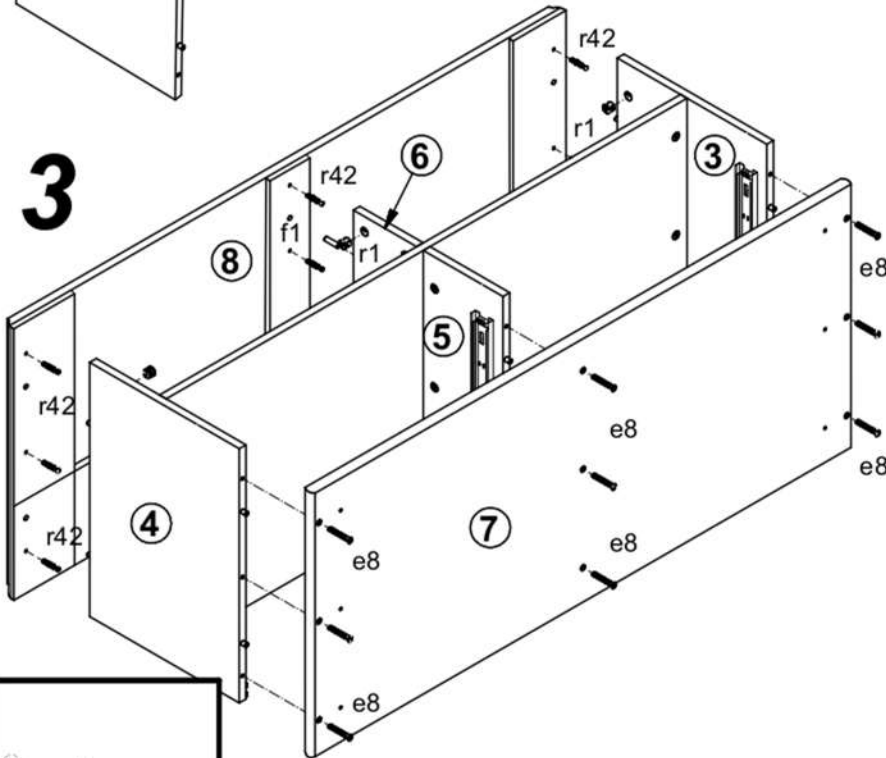
1



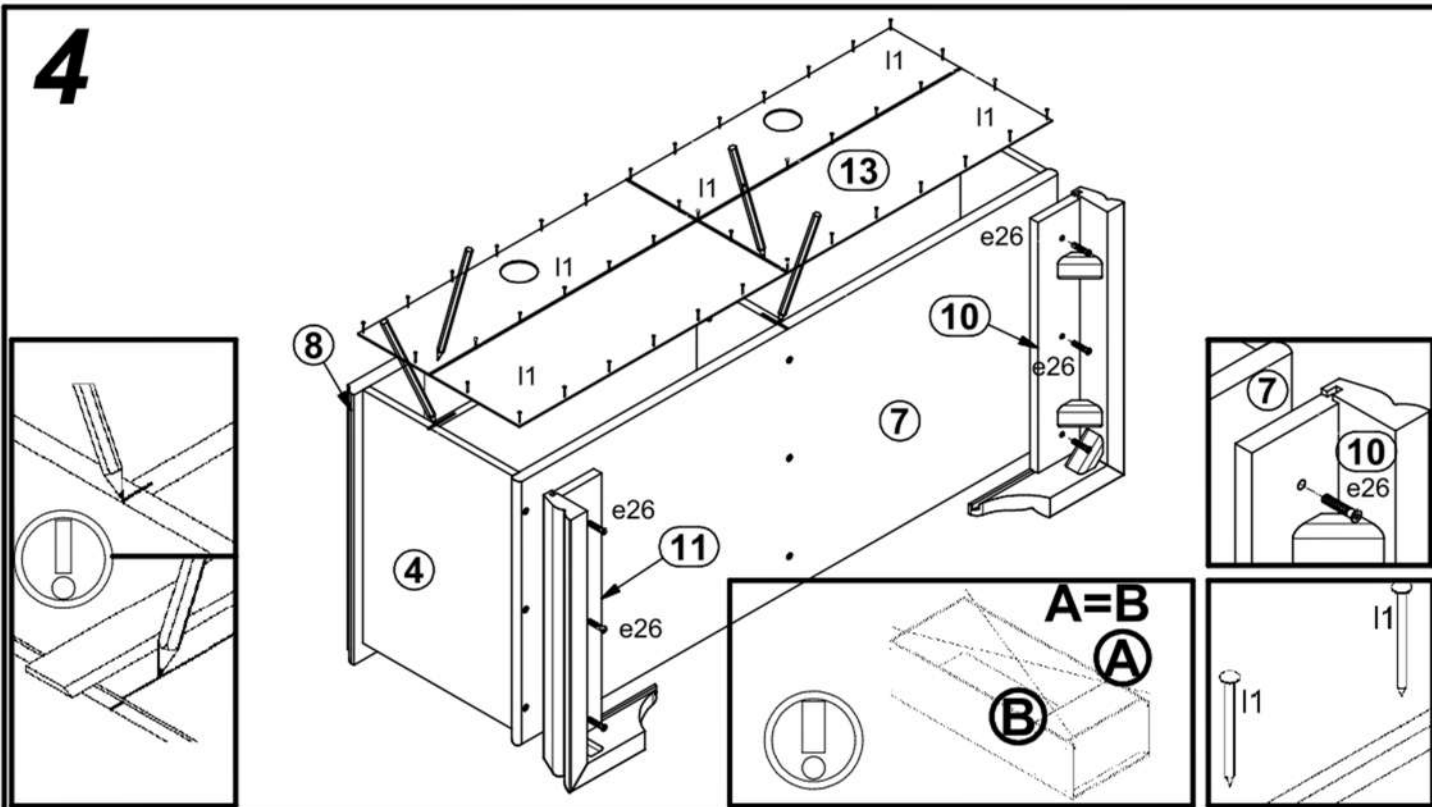
2



3



4



5

